



MV KNIDOS

IMO: 9214173

FLAG: PANAMA

BLT. 2000 AT DAMEN HOOGEZAND, NETHERLANDS



GENERAL INFORMATION

TYPE	BOX-HOLD MPP SINGLE/TWEEDECKER
CLASS	IRS

TONNAGE

DWT	9,000 MT
GT	6,382
NT	3,419

MAIN DATA

LOA	129.45 M
BEAM	15.85 M
SUMMER DRAFT	7.45 M
MAX SPEED	ABOUT 13 KNOTS

HOLDS / HATCHES

NUMBER	2 HOLDS / 2 HATCHES
HATCH DIMENSIONS	
HATCH NO. 1	38.95 X 13.15 M
HATCH NO. 2	52.19 X 13.15 M

CARGO CAPACITY

TOTAL CAPACITY	12,059 CBM BALE 12,775 CBM GRAIN
----------------	-------------------------------------

FLOOR SPACE

UNDER DECK	2,158 SQM
ON DECK	1,196 SQM
TOTAL	3,354 SQM

DECK STRENGTHS

TANKTOP	18 MT / SQM
TWEEDECK	3.5 MT / SQM
HATCHCOVER	1.75 MT / SQM

CONTAINER CAPACITY

IN HOLD	262 TEU
ON DECK	300 TEU
TOTAL (NOMINAL)	562 TEU
REEFER RECEPTABLES	40 FOR 20' CONTAINERS

CARGO HANDLING GEAR

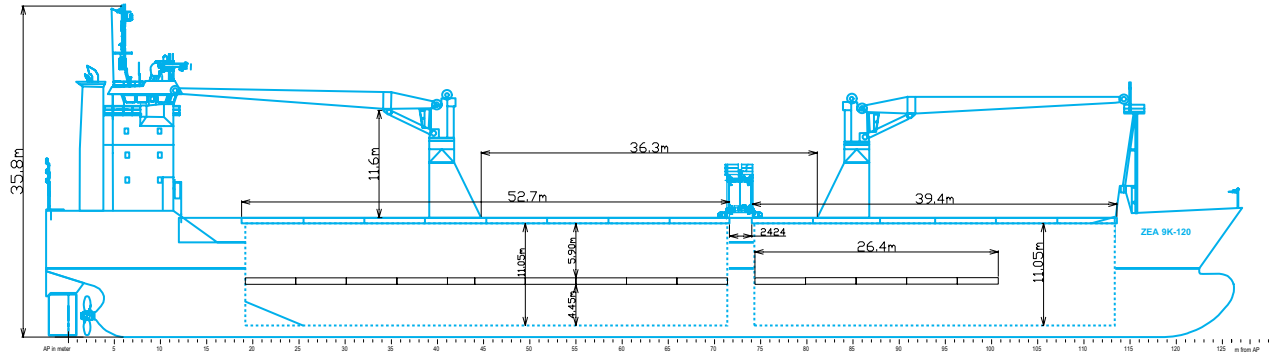
CRANES	2 X 60 MT (STARBOARD)
COMBINED LIFT CAPACITY	120 MT

SPECIAL EQUIPMENT/FEATURE

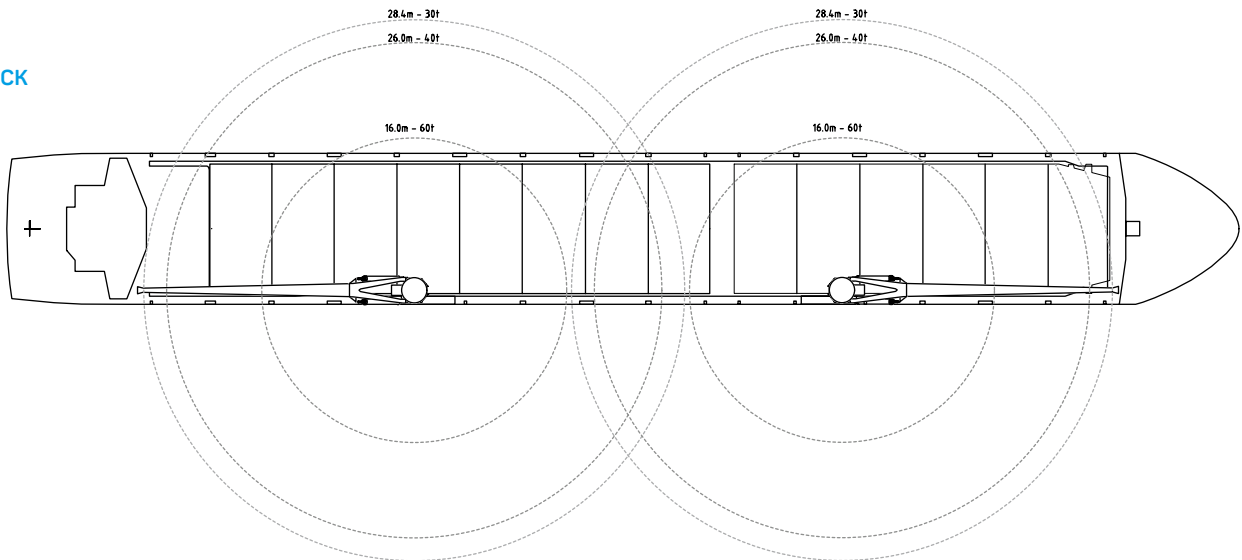
IMO FITTED	YES
BOWTHRUSTER	400 KW

Speed and consumption figures are calculated basis maximum Beaufort 2, no swell and no adverse currents. Consumption data assumes shaft generator and reefer plugs disconnected. Vessel is burning fuels according to ISO 8217-2005. Intake is always subject to vessel's stability, trim, permissible weights and is subject to regulations of visibility. Lifting capacity of vessel's cranes is subject to vessel's stability and can depend on cargo/ballast on board. Container data as well as bale capacity assumes tweendeck ashore. All details including speed and consumption are given in good faith and are „about“ and are given without guarantee. They must not be used as basis for charterparties or contracts without ELKENZ's written authority.

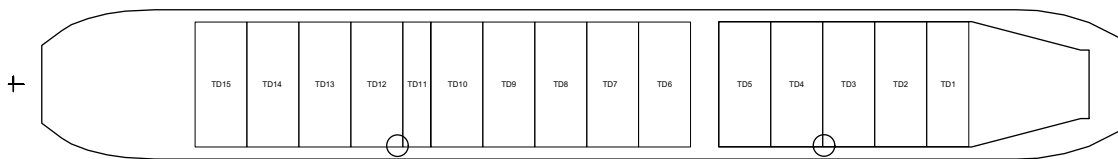
SIDE VIEW



MAIN DECK



TWEENDECK



HOLDS & DOUBLE BOTTOM

